



# SPOA10 10,000 lbs. Capacity Asymmetric Two Post Lift



**SHOWN:**  
**Three-Stage Flip-Up Adapters** with built-in height adapters on standard arms

Model shown: SPOA10N700BL / standard arms and three-stage flip-up adapters with optional accessories 10,000 lb. capacity

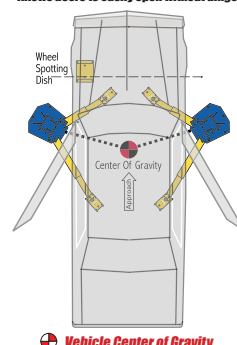
## Engineered For Productivity

For decades, Rotary® has been the recognized leader in vehicle service lifts. This legendary reputation has set the standard for quality, durability, reliability and attention to safety throughout the automotive service market.

### Benefits

- True asymmetrical design puts the vehicle back further in the bay for added maneuverability
- Full stroke cylinders minimizes the number of moving parts to maintain and repair
- Three-position adapters allow you to quickly adjust the adapter height
- Extended height models allow the pick up of taller vehicles

**Asymmetrical Design**  
*Perfect for cars and light trucks*  
*Allows doors to easily open without dings!*



Vehicle Center of Gravity

## Features

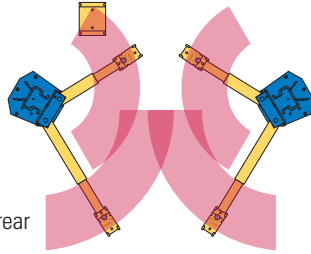
- True asymmetrical design
- Has full stroke high pressure cylinder in each column
- Has three-position adapters with built-in truck adapters
- A wide range of adapters available for special applications
- Has extended height models available
- Optional air / electric available
- The "Double S" single piece construction column design provides channel for the bearings to travel that maximizes the strength of the column

**The World's Most Trusted Lift™**  
[www.rotarylif.com](http://www.rotarylif.com)

# Asymmetric Two Post Lifts 10,000 lbs. Capacity

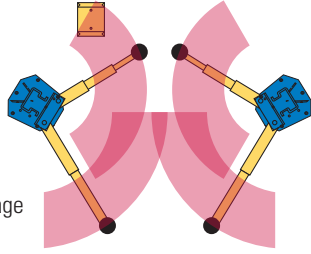
## Arm Configurations for Frame Engaging Lifts

**Asymmetrical two-stage** arms are the standard configuration designed to accommodate a wide range of typical vehicles with three-position adapters.



Asymmetrical 2-stage front and rear arm coverage (SPOA10)

**Asymmetrical three-stage** front arm that increases overall arm coverage and minimum arm reach for hard to lift vehicles.



Asymmetrical 3-stage front 2-stage rear arm coverage (SPOA10-RA)

The three-stage arm increases overall arm sweep and minimum arm reach to precisely lift vehicles that have:

- Uni-body construction
- Visually marked pick-up points on the vehicle
- Wider vehicle tread width and lower profile
- A short or long wheelbase

### SHOWN:

**Round Adapters** with 3 stage arms give more reach - perfect for **low profile** vehicles



Model shown: SPOA10N5G0BL with three-stage front arms and round rubber adapters with optional accessories / 10,000 lb. capacity

To lift **trucks** and **other frame type vehicles**, Rotary recommends using the **FJ6182** adapter.

Kit # FJ6197

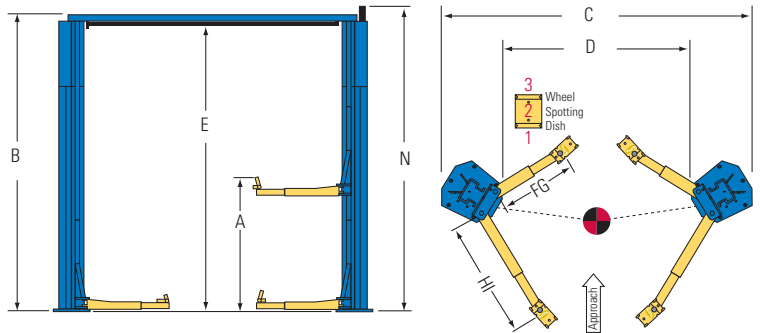
## SPECIFICATIONS

Model	SPOA10 Standard Arms Flip Up Adapters	SPOA10-TA Three-Stage Arms Truck Adapters	SPOA10-RA Three-Stage Arms Round Adapters
Capacity	10,000 lbs. (4536kg)	10,000 lbs. (4536kg)	10,000 lbs. (4536kg)
A. Rise*	78-1/4"	82-1/16"	73-3/4"
B. Height : Standard	11' 8 1/2" (3569mm)	11' 8 1/2" (3569mm)	11' 8 1/2" (3569mm)
C. Width Overall** (outside of base plate)	11' 5 1/2" (3493mm)	11' 5 1/2" (3493mm)	11' 5 1/2" (3493mm)
D. Drive-Thru Clearance	95 1/4" (2416mm)	95 1/4" (2416mm)	95 1/4" (2416mm)
E. Floor To Overhead Switch	11' 2 3/4" (3423mm)	11' 2 3/4" (3423mm)	11' 2 3/4" (3423mm)
F. Reach (front arm min.)	20 1/2" (521mm)	21-5/8" (550mm)	21-5/8" (550mm)
G. Reach (front arm max.)	40 3/4" (1036mm)	43-1/2" (1106mm)	43-1/2" (1106mm)
H. Reach (rear arm min.)	40 1/4" (1019mm)	34-1/2" (878mm)	34-1/2" (878mm)
I. Reach (rear arm max.)	61" (1548mm)	58" (1474mm)	58" (1474mm)
Min. Adapter Height	4 3/4" (121mm)	4 3/4" (121mm)	3 - 1/2" (89mm)
Inside Columns	107 1/4" (2727mm)	107 1/4" (2727mm)	107 1/4" (2727mm)
Motor / Voltage 1Ø	2 HP / 208v-230v	2 HP / 208v-230v	2 HP / 208v-230v
Time of Full Rise	45 seconds	45 seconds	45 seconds
Time of Descent	40 seconds	40 seconds	40 seconds
Ceiling Height Required:	12' (3658mm)	12' (3658mm)	12' (3658mm)
Min. Bay Size	12' x 24' (3658 x 7315mm)	12' x 24' (3658 x 7315mm)	12' x 24' (3658 x 7315mm)

\* Rise measures lowest or highest position of the supplied adapters from floor to full cylinder strokes.

\*\* Overall heights and widths reflect standard settings. Alternate settings may be available, refer to Installation Instruction Manual or consult factory for details.

† Optional 3-phase electrical available



**Rotary Lift Asia**  
No 1388, East Xiushan Road,  
Haimen, Jiangsu Province, China  
[www.rotaryliftdasia.com](http://www.rotaryliftdasia.com)

**Contact Information**  
Australia/New Zealand: 86.21.60812756  
East Asia: 86.513.82263361  
South East Asia: 91.80.41123421-26  
India: 91.120.4099.555



Lit# SPOA10\_2014.11  
©2014 VEHICLE SERVICE GROUP™, Printed in U.S.A., All Rights Reserved.  
Unless otherwise indicated, ROTARY LIFT, VEHICLE SERVICE GROUP™, DOVER  
and all other trademarks are property of Dover Corporation and its affiliates.

