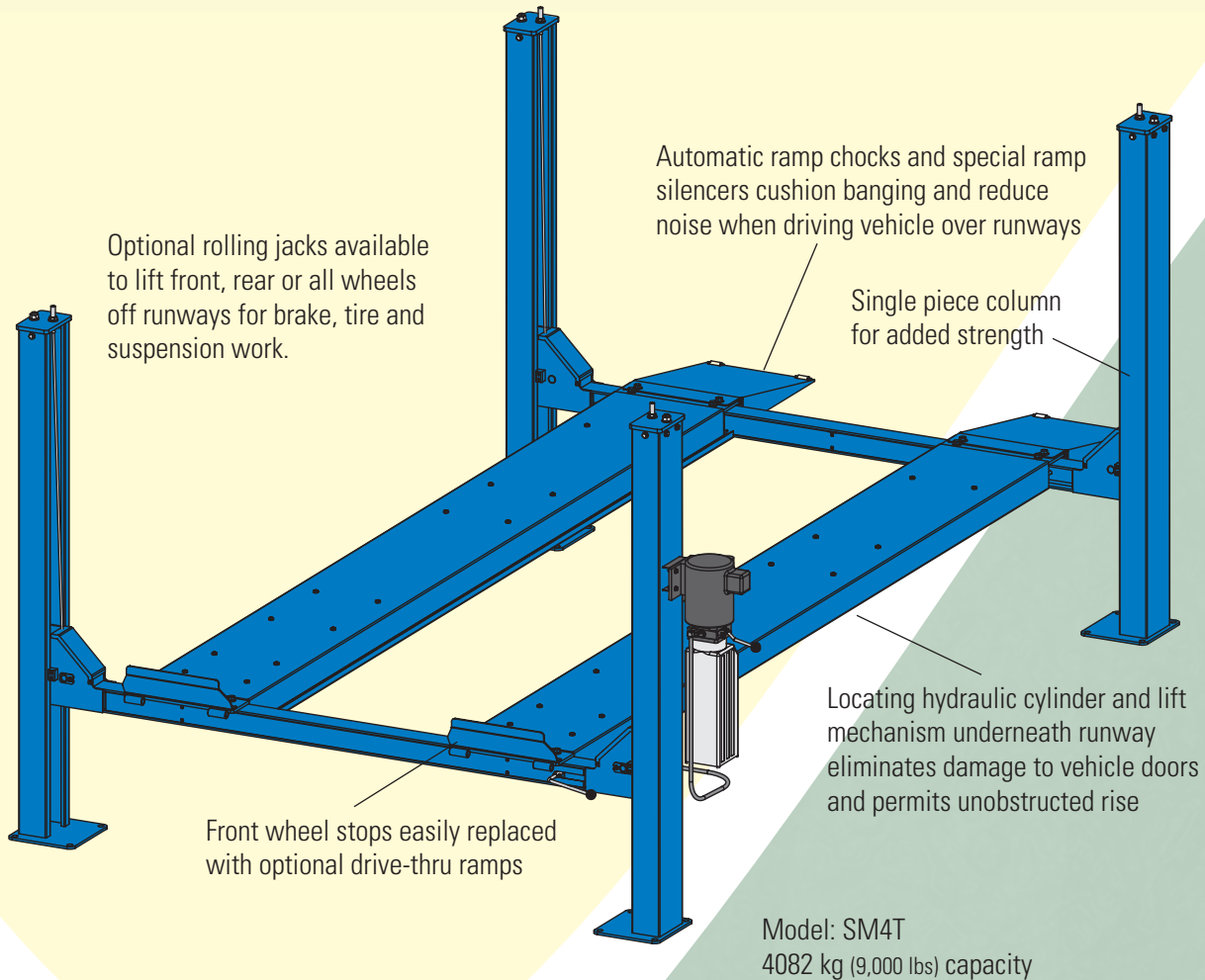


Performance and Productivity



SM4T - 4082 kg (9,000 lbs) capacity
Rotary's **NEW** SM4T is ideal for quick lifting and service of a wide range of vehicles. With Rotary Lift's SM4T, the real value is the increase in productivity.

For decades, Rotary Lift® has been the recognized leader in vehicle service lifts. This legendary reputation has set the standard for quality, durability, reliability and attention to safety throughout the automotive service market.

ROTARY LIFT®
The World's Most Trusted Lift™

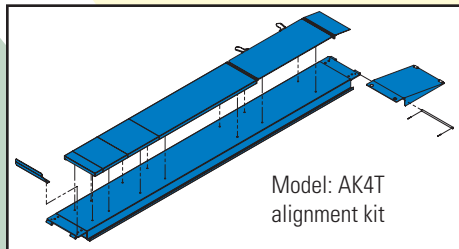


SM4T - 4 Ton - Four-Post Lift

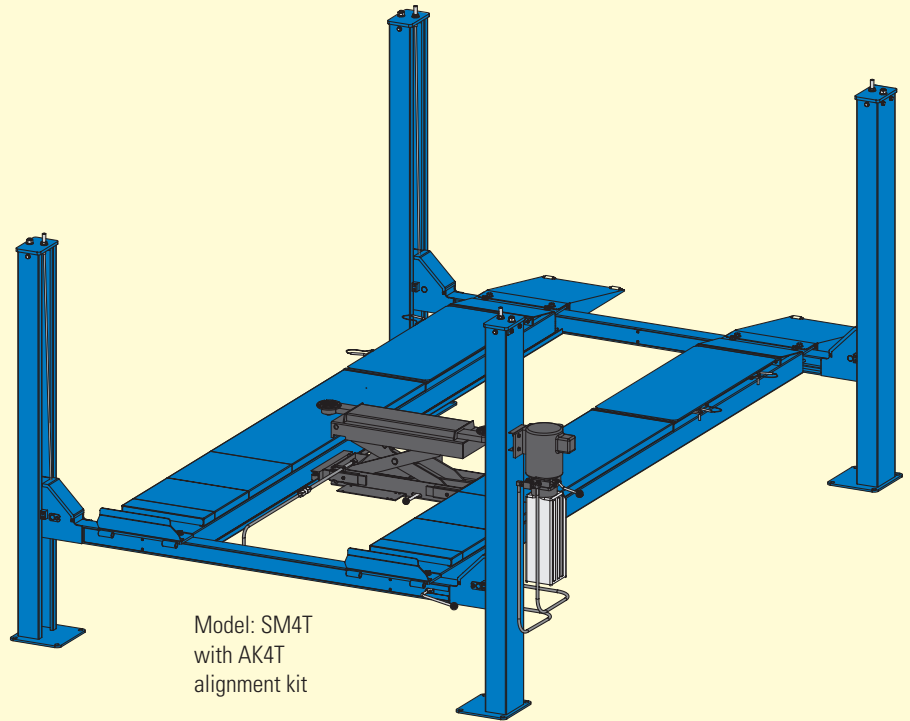
www.rotarylif.com

Optional Accessories

- RJ4500MBK - 4,500 lbs. capacity rolling bridge w/ manual pump
- FC5969 Air Pump Kit - to change manual pump to air operated
- AK4T - Bolt-On Alignment Kit
- FA5153 - Radius Gauges

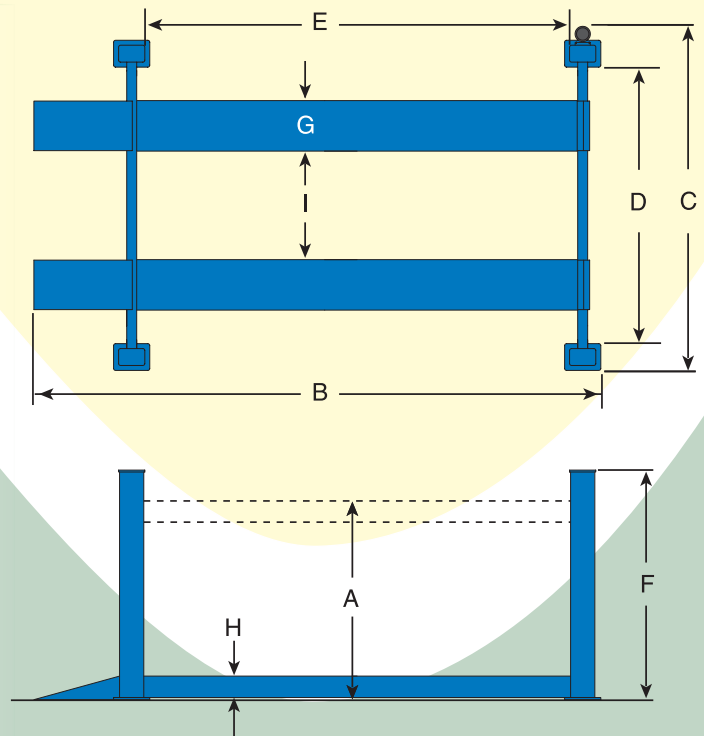


The AK4T is a bolt on alignment kit that offers an easy way to convert the SM4T four-post lift into a fully equipped flat top alignment rack.



Specifications

Model:	SM4T
Max. Wheelbase	3861 mm (152")
A. Rise	1962 mm (77-1/4")
B. Length Overall	5337 mm (210-1/8")
C. Width Overall	3276 mm (129")
D. Inside of Columns	2718 mm (107")
E. Between Front and Rear Columns	4191 mm (165")
F. Height of Columns	2221 mm (87-7/16")
G. Width of Runways	508 mm (20")
H. Height of Runways	127 mm (5")
I. Width Between Runways	1000 mm (39-3/8")
Lifting Capacity	4082 kg (9,000 lbs)
Motor	2 HP
Voltage Single Phase	208v-230v
Time of Full Rise	55 seconds



Rotary World HQ

2700 Lanier Drive
Madison, IN 47250, USA
www.rotarylif.com

Rotary Lift Asia

No.1388, East Xiushan Road, Haimen,
Jiangsu Province, China, 226100
www.vsg-asia.com

Contact Information

Australia/New Zealand: 86.21.60812756
South East Asia: 91.80.41123421-26
India: 91.120.4099.555



Lit# SM4T_2012_EN
©2012 Rotary®, Printed in U.S.A., All Rights Reserved. Unless otherwise indicated, ROTARY, DOVER and all other trademarks are property of Dover Corporation and its affiliates.

ROTARY LIFT
The World's Most Trusted Lift™

