



LIFT APPLICATION GUIDE



VEHICLE CLASS

GVW:
Gross Vehicle Weight



CLASS 1
Under 6,000 lbs. GVW



CLASS 2
6,001 to 10,000 lbs. GVW



CLASS 3
10,001 to 14,000 lbs. GVW



CLASS 4
14,001 to 16,000 lbs. GVW



CLASS 5
16,001 to 19,500 lbs. GVW



CLASS 6
19,501 to 26,000 lbs. GVW



CLASS 7
26,001 to 33,000 lbs. GVW



CLASS 8
33,001 lbs. and over GVW

	6,000 lbs.	7,000 lbs.	10,000 lbs.	8,000 lbs.	10,000 lbs.	12,000 lbs.	7,000 lbs.	10,000 lbs.	12,000 lbs.	15,000 lbs.	18,000 lbs.	12,000 lbs.	14,000 lbs.	18,000 lbs.	30,000 lbs.	40,000 lbs.	50,000 lbs.	60,000 lbs.	52,000 lbs.	72,000 lbs.	78,000 lbs.	108,000 lbs.	144,000 lbs.	30,000 lbs.	36,000 lbs.	45,000 lbs.	50,000 lbs.	75,000 lbs.	100,000 lbs.	60,000 lbs.	70,000 lbs.	90,000 lbs.	105,000 lbs.	
CLASS 1	•	•	•	•	•	•	•	•	•	•	•	•	•	•	•	•	•	•	•	•	•	•	•	•	•	•	•	•	•	•	•	•	•	•
CLASS 2		•	•	•	•	•	•	•	•	•	•	•	•	•	•	•	•	•	•	•	•	•	•	•	•	•	•	•	•	•	•	•	•	•
CLASS 3							•	•	•	•	•	•	•	•	•	•	•	•	•	•	•	•	•	•	•	•	•	•	•	•	•	•	•	•
CLASS 4							•	•	•	•	•	•	•	•	•	•	•	•	•	•	•	•	•	•	•	•	•	•	•	•	•	•	•	•
CLASS 5							•	•	•	•	•	•	•	•	•	•	•	•	•	•	•	•	•	•	•	•	•	•	•	•	•	•	•	•
CLASS 6												•	•	•	•	•	•	•	•	•	•	•	•	•	•	•	•	•	•	•	•	•	•	•
CLASS 7												•	•	•	•	•	•	•	•	•	•	•	•	•	•	•	•	•	•	•	•	•	•	•
CLASS 8												•	•	•	•	•	•	•	•	•	•	•	•	•	•	•	•	•	•	•	•	•	•	•

NOTE: This reference guide indicates that the noted lift is applicable to the vehicle based on typical vehicle weights, lengths and wheelbases. All information should be verified before purchasing a lift.



Rotary Lift
2700 Lanier Drive
Madison, IN 47250, USA



North / South America Contact Information

Sales: p 800.640.5438
e userlink@rotarylift.com
Tech. Support: p 800.445.5438
e techlink@rotarylift.com

Global Contact Information

USA: 1.812.273.1622
Canada: 1.905.812.9920
Latin America / Caribbean: 1.812.273.1622
Brazil: +55.11.4534.1995

Assistance for Government Purchasing

Government Sales: 800.445.5438 X5655

For additional world wide contact information and a complete guide to our product offering, visit us on the web at rotarylift.com.



Contract No. 061015-RRL



Lit# Rotary_Drive On Runway Brochure_2016.04
(Supersedes Lit# Rotary_Drive On Runway Brochure_2015.10)
©2016 VEHICLE SERVICE GROUP™. Printed in U.S.A., All Rights Reserved.
Unless otherwise indicated, ROTARY LIFT, VEHICLE SERVICE GROUP™, DOVER and all other trademarks are property of Dover Corporation and its affiliates.

Intuitive Control Console / Wireless Column Communication
HDC50/60 lifts are manufactured using the following patents:
(U.S. Patent No. 6983196 / U.S. Patent No. 8083034)

YA12 True Up / Down Lifting Movement: (U.S. Patent No. 6,059,263) / Sentinel Lock™ System (U.S. Patent No. 6,446,757)
Bolt-On Alignment Kit Spacer Plate with enclosed pockets: (U.S. Patent No. D740742)

Available with SHOCKWAVE™



Drive-On

GENERAL SERVICE DRIVE-ON RUNWAY LIFTS

12,000 TO 60,000 LBS. CAPACITY



ROTARY LIFT

THE WORLD'S MOST TRUSTED LIFT

Shown: SM14U100 14,000 lbs. capacity SHOCKWAVE-equipped runway lift with optional rolling jacks

www.rotarylift.com

WHAT COMES STANDARD WITH EVERY RUNWAY LIFT?

Versatility.

Nearly 30 years of experience goes into every drive-on lift we build. These runway lifts handle cars, vans, and trucks with ease.



Functionality, space consideration, and improved productivity are key components to consider when investing in a new lift. Our designers and engineers have taken all these considerations and used them to develop the most innovative, reliable and productive drive-on lift products on the market today.

Focus on Greater Productivity and More Workspace

Take advantage of the quick set-up for undercarriage repairs and wheel service. These versatile runway lifts are proven, durable and require little to no maintenance. **Plus with a new taller column**, technician's work under the highest runway rise in the industry allowing more service access.

Rotary Drive-On Lifts

Now Supercharged with SHOCKWAVE Equipped Power

Greater productivity means more profits and both can be achieved with Shockwave™. Optional Shockwave-equipped lifts are the fastest in the world helping you keep step with the ever-changing demand of the vehicle service industry.

Superior Design with Rigorous Cycle Testing

Rotary lifts are a great value because they are engineered to provide years of trouble-free service. Rotary maintains the largest in-house mechanical, electrical and controls engineering staff in the industry. State of the art design, modeling and analysis software ensures you get a well designed, long lasting product. **And now with an improved hydraulic and mechanical lifting system** concealed and protected under the runway, this high performance design generates greater durability and a more efficient and dependable lift operation.

Rotary cycle tests its lifts and components for at least 20,000 cycles at rated load, giving you a robust, proven and quality tested lift that won't let you down.

Local Service and Support

Our sales force attends intensive training on our products and the issues that face service repair facilities. Rotary representatives can help you evaluate which lift best meets your needs. With a world-wide network of highly-trained Rotary Authorized Installers and Distributors, service and parts support is always close at hand.

All from a partner you've trusted since 1925.

Rotary Lift.



SHOCKWAVE-EQUIPPED LIFTS FEATURE

2X Faster rise and descent than standard four-post lifts*



Patent pending DC power - Operates during loss of facility power



Spotline™ motion activated laser helps spot vehicles the first time



Center vehicles in the service bays quickly and accurately using this laser-guided system.

Wall or ceiling mounted laser

Rotary DESIGN ADVANTAGE

SHOCKWAVE Four-Post

PRODUCTIVITY & PERFORMANCE

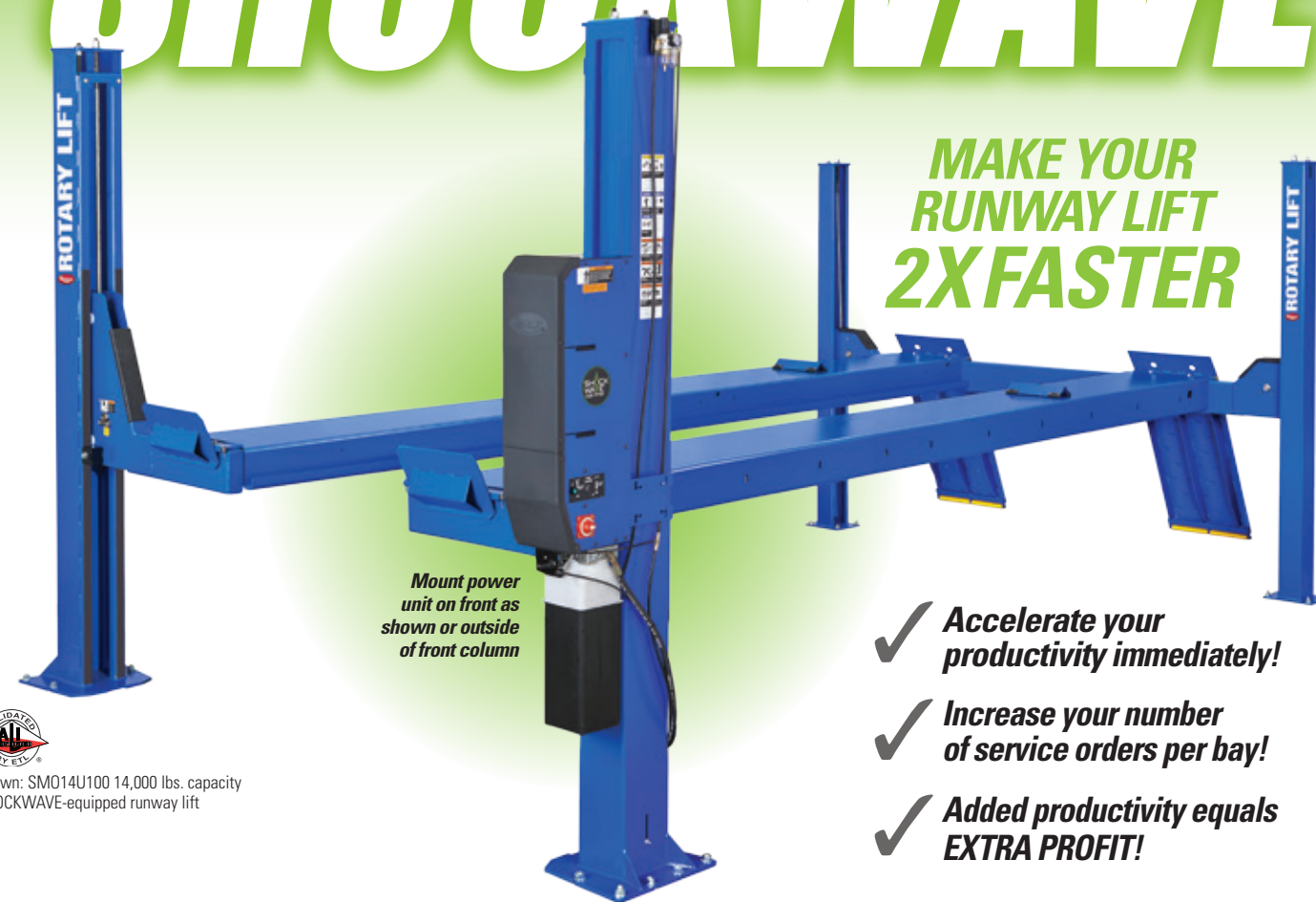
1. PATENTED LOCKING SYSTEM
2. PATENT PENDING DC POWER - PROVIDES 2X FASTER SPEED
3. HIGHER RISE
4. INEXPENSIVE DAILY OPERATION
5. THIRD-PARTY ETL GOLD CERTIFIED

DELIVERING PRODUCTIVITY and PERFORMANCE

SUPERCHARGE YOUR LIFT WITH

SHOCKWAVE™

MAKE YOUR RUNWAY LIFT 2X FASTER



Mount power unit on front as shown or outside of front column



Shown: SMO14U100 14,000 lbs. capacity SHOCKWAVE-equipped runway lift

- ✓ Accelerate your productivity immediately!
- ✓ Increase your number of service orders per bay!
- ✓ Added productivity equals EXTRA PROFIT!

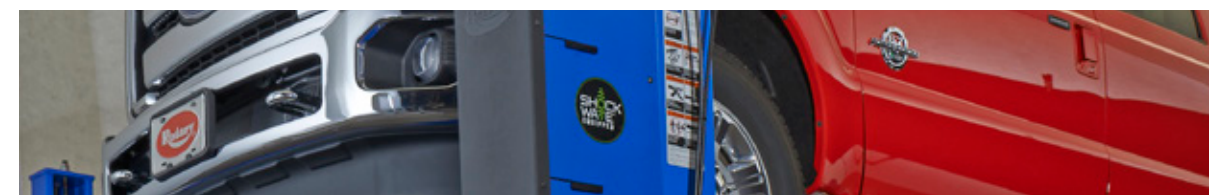
The Industry Standard JUST GOT FASTER!

Shockwave's DC patent pending power system gives you lower cost and more reliable operation while using two standard Group 24 batteries.**

Shockwave's built in battery charger uses 110v power, eliminating the need for expensive 220v wiring resulting in an installation savings of 80% or more!

*Actual rise and descent times may vary depending on weight of the vehicle. **Batteries not included.

SHOCKWAVE IS ONLY AVAILABLE ON SM14 / SMO14 SERIES OF LIFTS



Y12 12,000 LBS. CAPACITY DRIVE-ON LIFT

OPEN FRONT AND REAR WITH INNOVATIVE, INDUSTRY LEADING SPEED

Compared to traditional scissor lifts, technicians get to work sooner and with fewer obstructions to get in their way. Increase productivity and add dollars to your bottom line with speed, performance and reliability.

Productivity You Can Afford

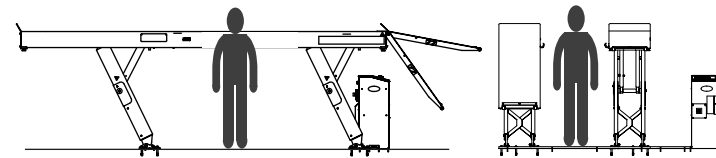
The Y-Lift does so much more. From the smallest micro cars to the largest trucks, the Y-lift can handle up to a 189-1/2" wheelbase.

Faster than the Competition

An innovative weight sensing control system maximizes rise speed based on vehicle weight. Vehicles raise in 37 seconds* - at least 33% faster than comparable scissor lifts.

Y12 Features 360° Productivity

Yspace™ gives technicians 360° of vehicle access adding room to work faster and easier. Twice the access points for easy movement - front, rear and sides with side to side walk through for accessing multi-bay projects and tool boxes and making wheel alignment adjustments



Twice the access points for easy technician movement

Y-Lift Patented Up and Down Movement provides true up/down lifting. There is no forward or rearward movement adding 20% more workspace below the lift and over 5 times more clear floor space under the runways.

Y-Lift Options:

- Can be flush mounted or recessed
- Extended ramps for lower profile vehicles (14" longer than standard)
- High efficiency LED TECH LIGHTS™
- Swing jacks
- Rolling jacks

Increase your service opportunities by lifting front, rear or all wheels off the runways for brake, tire, and suspension work.



#RJ6000Y
6,000 lbs. capacity

Rotary DESIGN ADVANTAGE

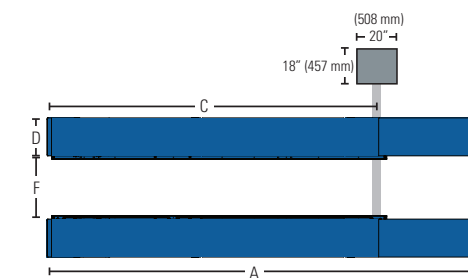
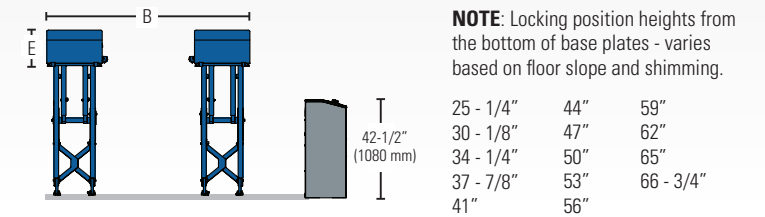
Y-Lift PRODUCTIVITY & PERFORMANCE

1. PATENTED TRUE UP / DOWN LIFTING
2. WEIGHT SENSOR CONTROL PROVIDES FASTER LIFTING SPEED
3. YSPACE™ ADDS 360° OF VEHICLE ACCESS
4. THIRD-PARTY ETL GOLD CERTIFIED

Y12 LIFT SPECIFICATIONS

Model:	Y12-L / Standard	Y12-EL1 / Extended
Max. Wheelbase	179 - 1/2" (4459mm)	189 - 1/2" (4813.3mm)
Rise / Floor to top of runway	68 - 3/16" (1732mm)	68 - 3/16" (1732mm)
A. Length Overall	260" (6604mm)	270" (6858mm)
B. Width Overall	88" (2235mm)	88" (2235mm)
C. Length of Runways	202" (5131mm)	212" (5385mm)
D. Width of Runways	24" (610mm)	24" (610mm)
E. Height of Runways	11 - 3/16" (284mm)	11 - 3/16" (284mm)
F. Width Between Runways	40" (1016mm)	40" (1016mm)
Lifting Capacity	12,000 lbs. (5443kg)	12,000 lbs. (5443kg)
Motor / Power	2HP, 1Ø 208/230v	2 HP, 1Ø 208/230v
Time of Full Rise *	37 seconds	37 seconds
Lowering Time *	45 seconds	45 seconds
Min. Bay Size	13' x 26' (3962 x 7925mm)	13' x 26' (3962 x 7925mm)

*Lower and rise speeds vary with voltage and vehicle weight.



Front wheel stops can easily be replaced by optional drive through ramps

Low profile ramps chocks with rollers provide smooth operation



No forward or rearward movement

Patented Up and Down Movement
The Y12 design provides true up/down lifting. There is no forward or rearward movement

Y-Lift can be flush mounted or recessed

Yspace™
360° vehicle access provides techs additional room to work faster and easier!

Hydraulic cylinder, locking mechanism and position sensor are mounted inside runway to protect them from corrosives and physical damage

SM14 14,000 LBS. CAPACITY FOUR-POST LIFT

NEW DRIVE-ON SERVICE LIFT WITH ADDED PRODUCTIVITY FEATURES

NEW SM14 Series drive-on lifts are engineered for commercial service, are ALI/ETL certified and exceed our industry exclusive performance durability cycle testing.

These 14K capacity lifts comes standard with unmatched features, equipment and a array of productivity enhancing accessories. Three available wheelbases allow any shop to service a wide range of vehicles from cars to full size trucks. Bolster your service offerings and boost your bottom line with Rotary Lift, the most proven vehicle lifting name in the industry.

NEW Lift Features:

Higher rise to over 78" provides more work area under the vehicle

Powder coated hammer tone paint finish improves durability and paint life

Louvered ramps with polymer rollers provide improved traction and less floor gouging when driving on the lift

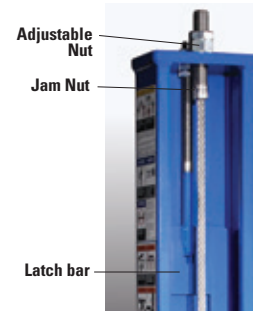
Available with SHOCKWAVE - creating 2X faster rise and descent

EL model has more than **9 additional inches of wheelbase**

Available with **SHOCKWAVE™**



EXCLUSIVE PATENTED FEATURES

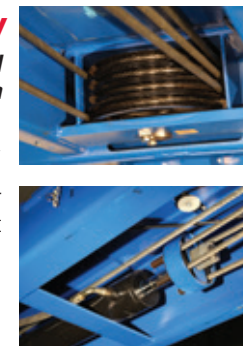


Patented dual function Sentinel Lock™ system features a slack cable guide arm that stays "on guard" to manage the lock latch. In a slack cable situation, the lock system kicks the lock into position. Fewer parts means less opportunity for service issues and more peace of mind.

Adjustable latch bars ensure the runways are level when resting on the latch bars at any of the multiple locking positions.



NEW improved hydraulic and mechanical lifting system design - concealed and protected under the runway, high performance cables and sheaves generate greater durability and a more efficient and dependable lift operation

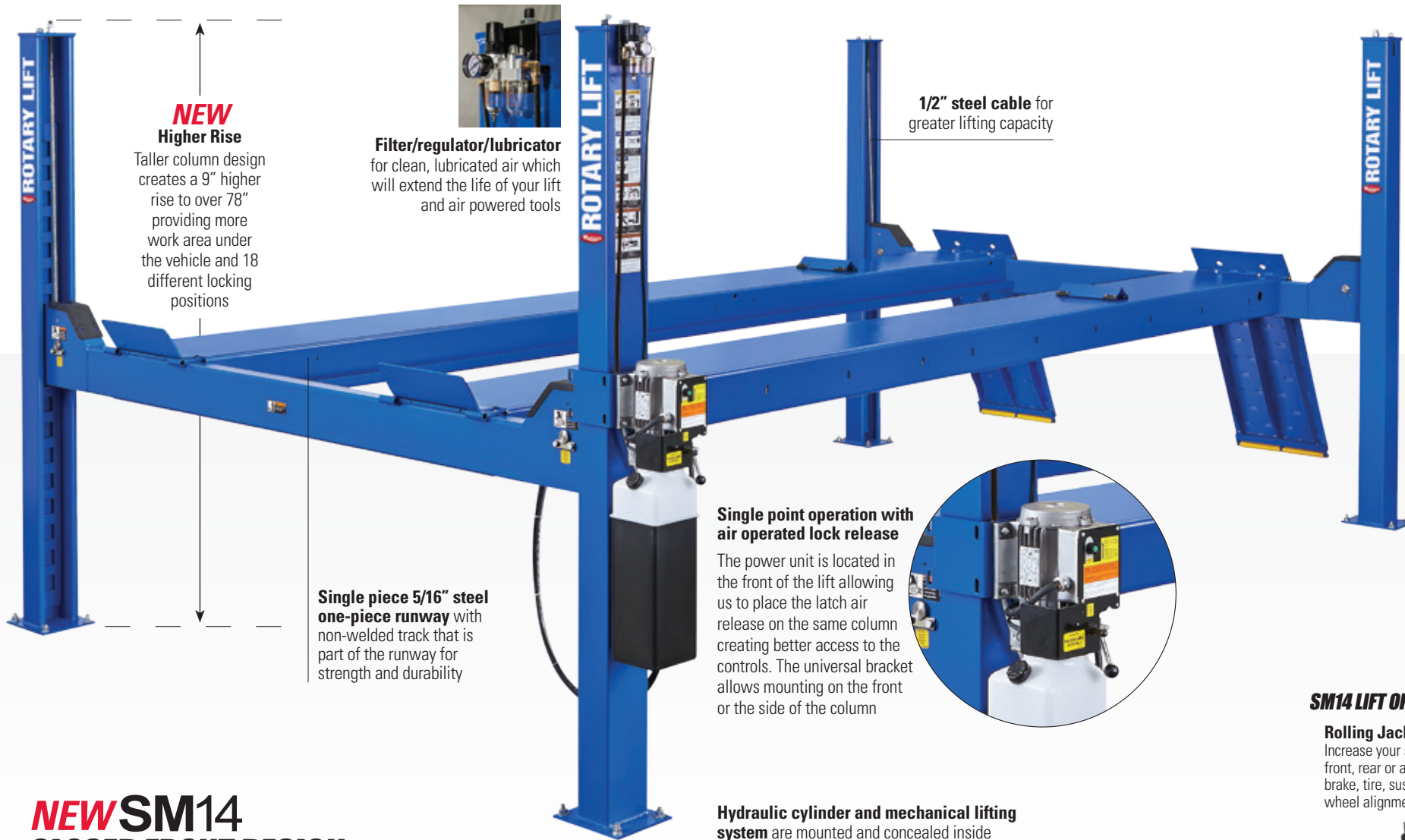


NEW 41" louvered ramps for improved drive-on traction. **Wheel chocks** automatically engage when lift is raised



Polymer rollers protect shop floor and adds a quieter operation

NEW powder coated hammer tone paint finish improves durability and paint life



NEW Higher Rise

Taller column design creates a 9" higher rise to over 78" providing more work area under the vehicle and 18 different locking positions

Filter/regulator/lubricator for clean, lubricated air which will extend the life of your lift and air powered tools

1/2" steel cable for greater lifting capacity

Single piece 5/16" steel one-piece runway with non-welded track that is part of the runway for strength and durability

Single point operation with air operated lock release

The power unit is located in the front of the lift allowing us to place the latch air release on the same column creating better access to the controls. The universal bracket allows mounting on the front or the side of the column

Hydraulic cylinder and mechanical lifting system are mounted and concealed inside runway to protect them from corrosives and physical damage

SM14 LIFT OPTIONS

Rolling Jacks

Increase your service opportunities by lifting front, rear or all wheels off the runways for brake, tire, suspension and two or four-wheel alignment work

#RJ7000Y
7,000 lbs. capacity



Bolt-On Alignment Kits with new, easy-to-use patented spacer plate

Convert your general service four-post lift into an alignment lift that is compatible with the new technology 3-D alignment equipment on the market today. Comes with stainless steel turning radius gauges.

CONSULT FACTORY FOR OPTIONS

Rotary DESIGN ADVANTAGE

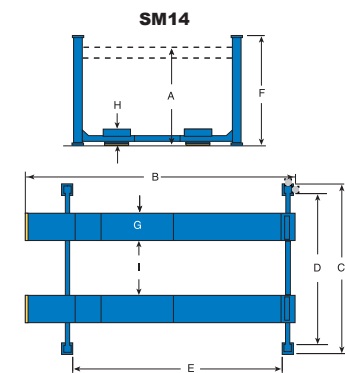
SM14 Four-Post PRODUCTIVITY & PERFORMANCE

1. PATENTED LOCKING SYSTEM
2. INDUSTRY-BEST RISE HEIGHT
3. SHOCKWAVE-EQUIPPED
4. THIRD-PARTY ETL GOLD CERTIFIED

SM14 LIFT SPECIFICATIONS

Model:	SM14 / Closed Front
Max. Wheelbase*	S 158" (4013mm) L 182" (4622mm) EL 215" (5461mm)
A. Rise / Floor to top of runway	78 3/4" (2000mm)
B. Length Overall†	S 18' 10" (5740mm) L 20' 10" (6350mm) EL 23' 7" (7188mm)
C. Width Overall**†	10' 11 3/4" (3346mm)
Runway Length	S 14' 7 1/4" (4451mm) L 16' 7 1/4" (5061mm) EL 19' 4" (5893mm)
D. Inside of Columns**	116 1/4" (2953mm)
E. Between Front and Rear Columns	S 171 1/4" (4349mm) L 195 1/4" (4959mm) EL 228 1/4" (5798mm)
F. Height of Columns	7' 6 1/2" (2299mm)
G. Width of Runways	20" (508mm)
H. Height of Runways	7" (178mm)
I. Width Between Runways	43" - 46" (1092-1168mm)
Lifting Capacity	14,000 lbs. (6350kg)
Motor / SHOCKWAVE	2 HP / 5 HP
Voltage Single Phase / SHOCKWAVE	208v-230v / 110V
Time of Full Rise	65 seconds
SHOCKWAVE Time of Full Rise and Descent***	35 seconds 18 seconds
Min. Bay Size	S 15' x 23' (4572 x 7010mm) L 15' x 26' (4572 x 7925mm) EL 15' x 28' (4572 x 8534mm)

S = Shorter length L = Standard length EL = Extended length



* Maximum wheelbase is based on a tire diameter of 29-1/2" (749mm)
** Narrow bay models available. Consult factory for min. bay size before ordering
*** Actual rise and descent times may vary depending on weight of the vehicle
† Length and / or width overall is 10 - 1/2" longer with SHOCKWAVE power unit mounted on the side or front of column

SM14 lifts are available in blue and red. Black is available on the SM14L only.

RAL5005 RAL3002 RAL9005

Additional colors maybe available - consult your Rotary® representative for details and pricing.

NEW SM14 CLOSED FRONT DESIGN

Shown: SM14N100 14,000 lbs. capacity runway lift

SMO14 14,000 LBS. CAPACITY FOUR-POST LIFT

NEW DRIVE-ON SERVICE LIFT WITH ADDED PRODUCTIVITY FEATURES

NEW SMO14 OPEN FRONT drive-on lifts are engineered for commercial service, are ALI/ETL certified and exceed our industry exclusive performance durability cycle testing

Like the closed front SM14, the SMO14 comes standard with unmatched features, equipment and numerous productivity enhancing accessories. The **OPEN FRONT DESIGN** allows greater vehicle access and enhanced productivity. Three available wheelbases allow any shop to service a wide range of vehicles from cars to full size trucks.

NEW Lift Features:

Higher rise to over 78" provides more work area under the vehicle

Powder coated hammer tone paint finish improves durability and paint life

Louvered ramps with polymer rollers provide improved traction and less floor gouging when driving on the lift

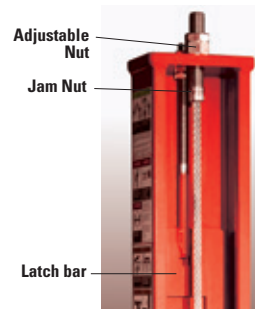
Available with SHOCKWAVE - creating 2X faster rise and descent

EL model has more than **9 additional inches of wheelbase**

Available with **SHOCKWAVE™**



EXCLUSIVE PATENTED FEATURES

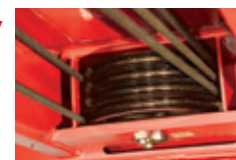


Patented dual function Sentinel Lock™ system features a slack cable guide arm that stays "on guard" to manage the lock latch. In a slack cable situation, the lock system kicks the lock into position. Fewer parts means less opportunity for service issues and more peace of mind.

Adjustable latch bars ensure the runways are level when resting on the latch bars at any of the multiple locking positions.



NEW improved hydraulic and mechanical lifting system design - concealed and protected under the runway, high performance cables and sheaves generate greater durability and a more efficient and dependable lift operation

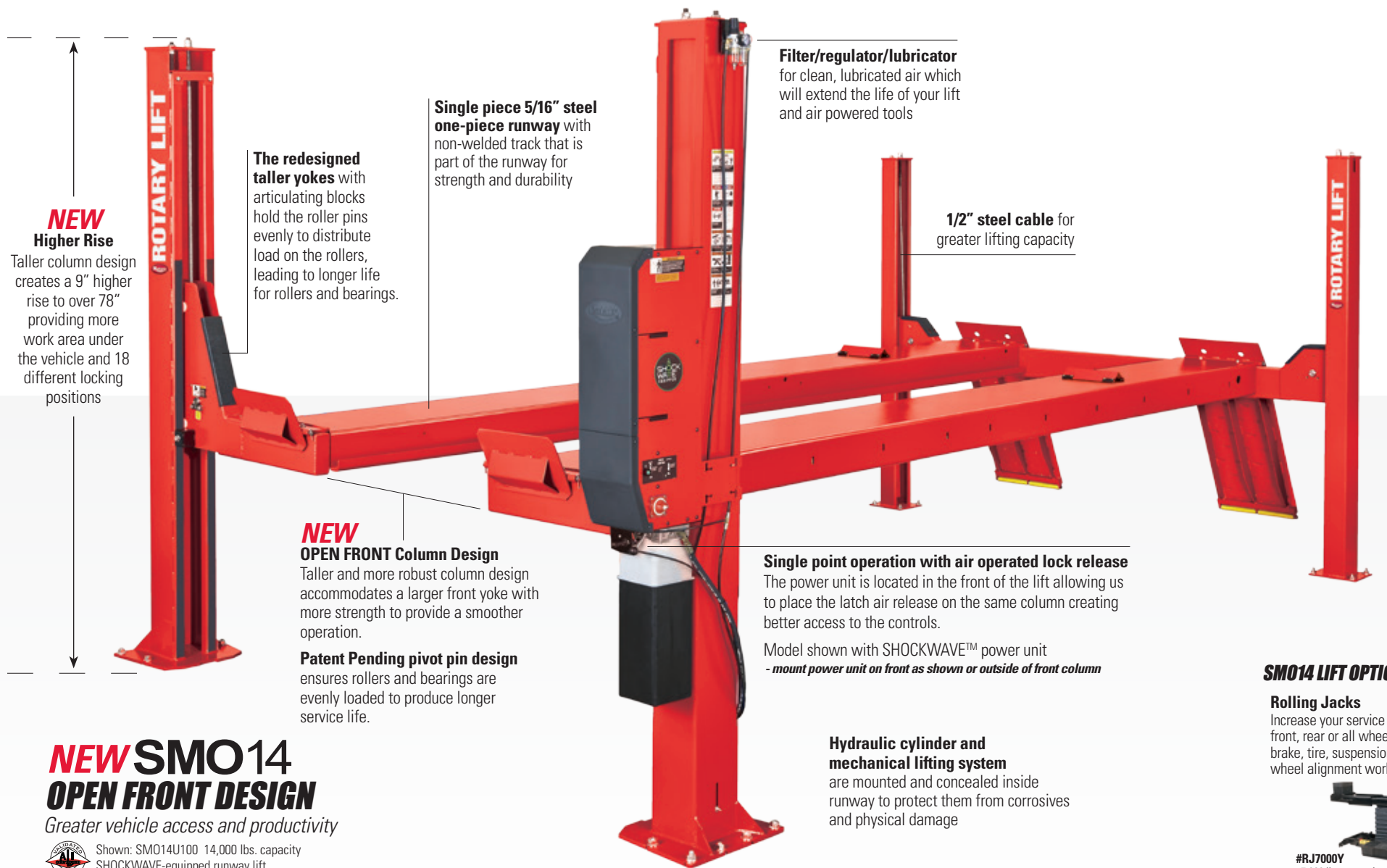
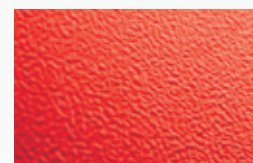


NEW 41" louvered ramps for improved drive-on traction. **Wheel chocks** automatically engage when lift is raised



Polymer rollers protect shop floor and adds a quieter operation

NEW powder coated hammer tone paint finish improves durability and paint life



The redesigned taller yokes with articulating blocks hold the roller pins evenly to distribute load on the rollers, leading to longer life for rollers and bearings.

Single piece 5/16" steel one-piece runway with non-welded track that is part of the runway for strength and durability

Filter/regulator/lubricator for clean, lubricated air which will extend the life of your lift and air powered tools

1/2" steel cable for greater lifting capacity

Single point operation with air operated lock release
The power unit is located in the front of the lift allowing us to place the latch air release on the same column creating better access to the controls.

Model shown with SHOCKWAVE™ power unit
- mount power unit on front as shown or outside of front column

Hydraulic cylinder and mechanical lifting system are mounted and concealed inside runway to protect them from corrosives and physical damage

SMO14 LIFT OPTIONS

Rolling Jacks
Increase your service opportunities by lifting front, rear or all wheels off the runways for brake, tire, suspension and two or four-wheel alignment work



#RJ7000Y
7,000 lbs. capacity

Bolt-On Alignment Kits with new, easy-to-use patented spacer plate
Convert your general service four-post lift into an alignment lift that is compatible with the new technology 3-D alignment equipment on the market today. Comes with stainless steel turning radius gauges.

CONSULT FACTORY FOR OPTIONS

Rotary **DESIGN ADVANTAGE**

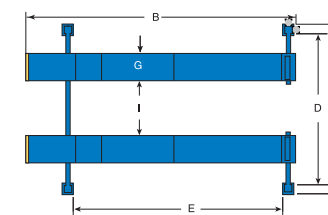
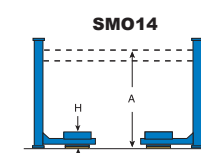
SMO14 Four-Post PRODUCTIVITY & PERFORMANCE

1. PATENTED LOCKING SYSTEM
2. INDUSTRY-BEST RISE HEIGHT
3. SHOCKWAVE-EQUIPPED
4. THIRD-PARTY ETL GOLD CERTIFIED

SMO14 LIFT SPECIFICATIONS

Model:	SMO14 / Open Front
Max. Wheelbase*	S 158" (4013mm) L 182" (4622mm) EL 215" (5461mm)
A. Rise / Floor to top of runway	78 3/4" (2000mm)
B. Length Overall†	S 19' 1" (5817mm) L 21' 1" (6426mm) EL 23' 10" (7264mm)
C. Width Overall†	11' 8 1/2" (3568mm)
Runway Length	S 14' 7 1/4" (4451mm) L 16' 7 1/4" (5061mm) EL 19' 4" (5893mm)
D. Inside of Columns	116 1/4" (2953mm)
E. Between Front and Rear Columns	S 170 3/4" (4337mm) L 194 3/4" (4946mm) EL 227 3/4" (5785mm)
F. Height of Columns	9' 1 1/16" (2770mm)
G. Width of Runways	20" (508mm)
H. Height of Runways	7" (178mm)
I. Width Between Runways	43" (1092mm)
Lifting Capacity	14,000 lbs. (6350kg)
Motor / SHOCKWAVE	2 HP / 5 HP
Voltage Single Phase / SHOCKWAVE	208v-230v / 110V
Time of Full Rise	65 seconds
SHOCKWAVE Time of Full Rise and Descent**	35 seconds 18 seconds
Min. Bay Size	S 15' x 23' (4572 x 7010mm) L 15' x 26' (4572 x 7925mm) EL 15' x 28' (4572 x 8534mm)

S = Shorter length L = Standard length EL = Extended length



* Maximum wheelbase is based on a tire diameter of 29-1/2" (749mm)
** Actual rise and descent times may vary depending on weight of the vehicle
† Length and / or width overall is 10 -1/2" longer with SHOCKWAVE power unit mounted on the side or front of column

SMO14 lifts are available in blue and red.
RAL5005 RAL3002

Additional colors maybe available - consult your Rotary® representative for details and pricing.

NEW SMO14 OPEN FRONT DESIGN

Greater vehicle access and productivity

Shown: SMO14U100 14,000 lbs. capacity SHOCKWAVE-equipped runway lift

SM18 18,000 LBS. CAPACITY FOUR-POST LIFT

SERVICE CARS, VANS AND COMMERCIAL VEHICLES WITH EASE

When it comes to vehicle services, the versatile SM18 can handle a wheelbase range up to 230" and adding optional alignment equipment converts this lift to match today's alignment service systems.

18,000 lbs. capacity means more shop advantages

Take your shop services to the next level with this heavy-duty four-post lift. Designed without obstructions to vehicle access, technicians have room to move increasing productivity. This heavy-duty lift is big on performance without taking away signature Rotary lift features.

This lift is loaded with standard features you only expect to see with a Rotary drive-on lift.

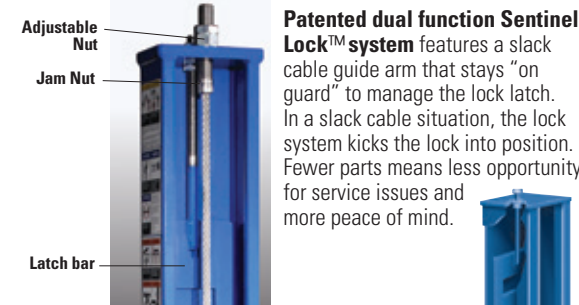
Single point release air-locks save valuable working time by releasing all four spring loaded column locks with the push of a single lever.

The heavy-duty hydraulic cylinder and lift mechanism are located underneath the runway, eliminating damaging vehicle obstructions and prolonging the hydraulic system's lifespan.



Shown: SM18LO-X 18,000 lbs. capacity lift
Shown with optional alignment kit

EXCLUSIVE PATENTED FEATURES



Patented dual function Sentinel Lock™ system features a slack cable guide arm that stays "on guard" to manage the lock latch. In a slack cable situation, the lock system kicks the lock into position. Fewer parts means less opportunity for service issues and more peace of mind.

Adjustable latch bars ensure the runways are level when resting on the latch bars at any of the multiple locking positions.



Shown: RJ9000YBK

Optional rolling jacks with a variety of adapters lift front, rear or all wheels off the runways for brake, tire, alignment and suspension work. When idle, the jacks roll out of the way to provide unobstructed workspace between runways.

Internal airline connections let two rolling jacks operate simultaneously.

Front wheel stops can easily be replaced by optional drive through ramps

Rotary DESIGN ADVANTAGE

SM18 Four-Post

PRODUCTIVITY & PERFORMANCE

1. PATENTED LOCKING SYSTEM
2. ALIGNMENT CONVERSION AVAILABLE
3. ADJUSTABLE RUNWAY SPACING
4. THIRD-PARTY ETL GOLD CERTIFIED

SM18 LIFT SPECIFICATIONS

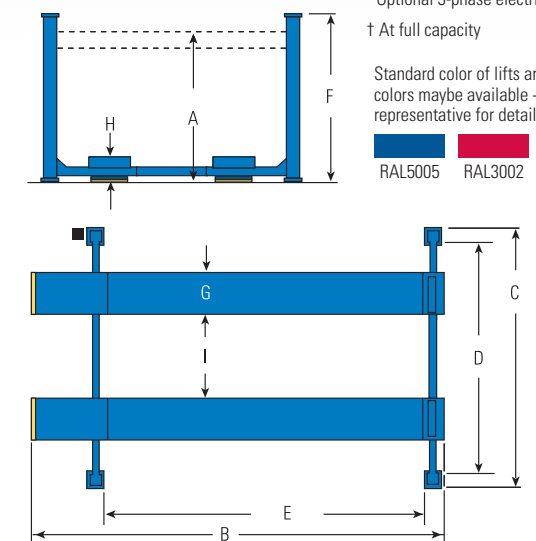
Model:	SM18	SM18-EL
Max. Wheelbase	194" (4927mm)	230" (5842mm)
A. Rise / Floor to top of runway	68" (1727mm)	68" (1727mm)
B. Length Overall*	22' 11" (6990mm)	25' 11" (7904mm)
C. Width Overall	137 11/16" (3497mm)	137 11/16" (3497mm)
D. Inside of Columns	122 3/16" (3104mm)	122 3/16" (3104mm)
E. Between Columns	212" (5385mm)	248" (6299mm)
F. Column Height	6' 5 3/4" (1975mm)	6' 5 3/4" (1975mm)
G. Width of Runways	22" (559mm)	22" (559mm)
H. Height of Runways	8 5/16" (211mm)	8 5/16" (211mm)
I. Width Between Runways	43" (1092mm)	43" (1092mm)
Min. / Max	46" (1168mm)	46" (1168mm)
Lifting Capacity	18,000 lbs. (8165kg)	18,000 lbs. (8165kg)
Motor / Power **	2HP, 1Ø 208/230v	2 HP, 1Ø 208/230v
Time of Full Rise †	80 seconds	80 seconds
Lowering Time	25 seconds	25 seconds
Min Bay Size	13' x 27' (3962mm x 8230mm)	13' x 30' (3962mm x 9144mm)

* With standard length ramps

** Optional 3-phase electrical available

† At full capacity

Standard color of lifts are blue and red. Additional colors may be available - consult your Rotary representative for details and pricing.



Automatic ramp chocks engage when the lift is raised. Clearance holes allow the ramp chocks to clear runway bolts with less noise on vehicle approach.

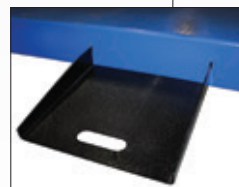


Filter/regulator/lubricator for clean, lubricated air which will extend the life of your lift and air powered tools

1/2" steel cable for greater lifting capacity and durability

Protective strips on ramp ends reduce noise and eliminate floor gouging.

Removable work step
Optional accessory for the SM18, this repositionable stand fits the outer sides of the four-post runway slots as shown.



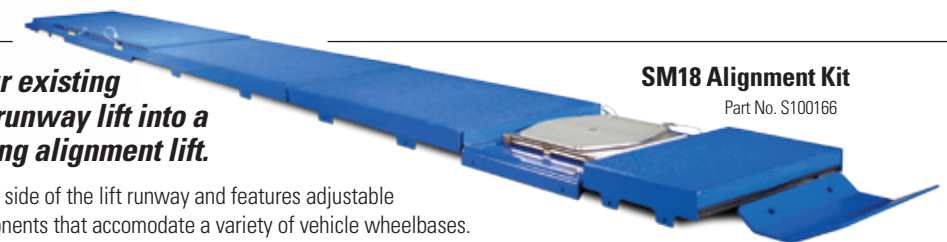
Model # FC5663BK

Single piece non-welded runway with tracks for rolling jacks

Transform your existing flat top SM18 runway lift into a fully functioning alignment lift.

The kit fastens to the side of the lift runway and features adjustable flush mounted components that accommodate a variety of vehicle wheelbases.

SM18 Alignment Kit
Part No. S100166



SM30 30,000 LBS. CAPACITY RUNWAY LIFT

SERVICE A VARIETY OF VEHICLES WITH MAXIMUM PRODUCTIVITY

Heavy-Duty 30K Four Post Drive-On Lifts - Service Wheelbases Up To 307"

Take heavy duty lift service to the next level with this four-post designed without side obstructions and better vehicle access. With a 68" lifting height, the SM30 clear floor design allows technicians room to access tool boxes and other shop equipment increasing productivity and reducing downtime. Plus, the single point air-lock release releases all four spring loaded column locks at one time adding greater productivity. Numerous accessories turns this lift into a complete service solution for any shops' needs. These lifts handle cars, vans, trucks - even light and medium duty commercial vehicles with ease. If you service a wide variety of vehicles, Rotary 30,000 lbs. capacity four-post auto lifts are the right choice for maximum productivity.



Shown: SM30N0-X
30,000 lbs. capacity
with optional rolling jacks

RAISE YOUR FORKLIFT TO NEW HEIGHTS!

RFL25

25,000 LBS. CAPACITY FORKLIFT SERVICE LIFT

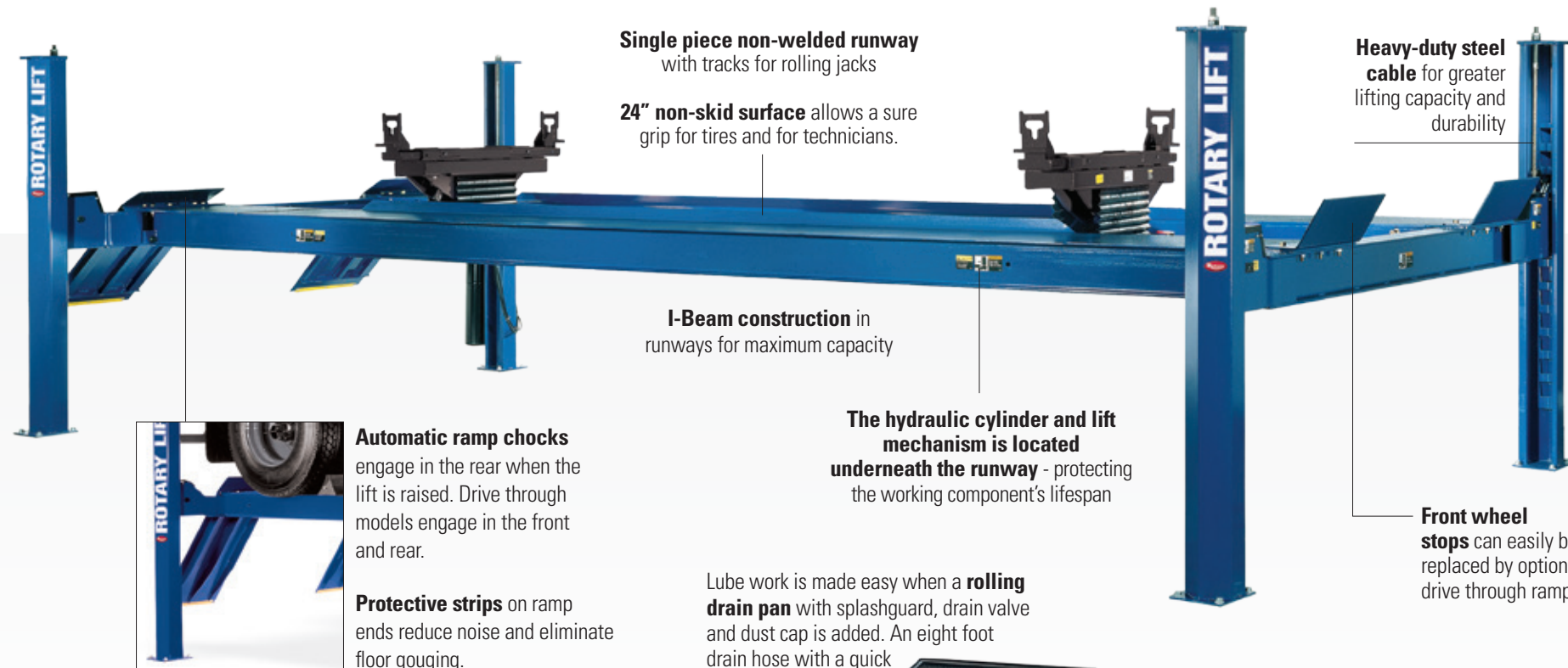
Features

- Single point release air-locks
- Automatic ramp chocks
- Drive through models
- ALI / ETL Certified



Shown: RFL25
Fork Lift Model
25,000 lbs. capacity

CONSULT FACTORY FOR DETAILS



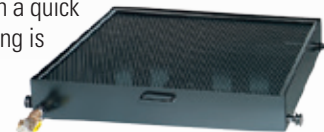
Single piece non-welded runway
with tracks for rolling jacks

24" non-skid surface allows a sure grip for tires and for technicians.

I-Beam construction in runways for maximum capacity

The hydraulic cylinder and lift mechanism is located underneath the runway - protecting the working component's lifespan

Lube work is made easy when a **rolling drain pan** with splashguard, drain valve and dust cap is added. An eight foot drain hose with a quick disconnect fitting is also available.



#FC5968BK
SM300 series, 30 gallon capacity

Heavy-duty steel cable for greater lifting capacity and durability

Front wheel stops can easily be replaced by optional drive through ramps

Optional rolling jacks with a variety of adapters lift front, rear or all wheels off the runways for brake, tire, alignment and suspension work. When idle, the jacks roll out of the way to provide unobstructed workspace between runways.



Shown: RJ9000Y-2BK

Standard Internal airline connections let two rolling jacks operate simultaneously.

Alignment Capable Lift
Convert the SM30 into a fully functioning alignment lift by adding an alignment kit. Bolt-on kits include front turning radius gauge kits and rear slip plates.



SM30 Four-Post

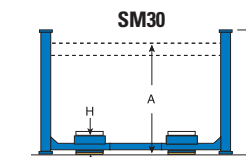
PRODUCTIVITY & PERFORMANCE

1. PATENTED SENTINEL LOCKING SYSTEM
2. MULTIPLE RUNWAY LENGTHS
3. ADJUSTABLE RUNWAY SPACING
4. THIRD-PARTY ETL GOLD CERTIFIED

SM30 LIFT SPECIFICATIONS

Model:	SM30S SM30L SM30EL
Maximum Wheelbase*	S 235" (5969mm) L 271" (6883mm) EL 307" (7798mm)
A. Rise / Floor to top of runway	68" (1727mm)
B. Length Overall	S 25' 8 1/8" (7826mm) L 28' 8 1/8" (8741mm) EL 31' 8 1/8" (9655mm)
C. Width Overall	12' 6" (3811mm)
D. Inside of Columns	133" (3378mm)
E. Between Columns	S 249" (6325mm) L 285" (7239mm) EL 321" (8153mm)
F. Height of Columns	7' 3/4" (2153mm)
G. Width of Runways	24" (610mm)
H. Height of Runways	8 3/4" (222mm)
I. Width Between Runways (min.)	42" (1067mm)
J. Width Between Runways (max.)	48" (1219mm)
K. Length of Runways	S 248 1/2" (6312mm) L 284 1/2" (7226mm) EL 320 1/2" (8141mm)
Lifting Capacity	30,000 lbs. (13608kg)
Motor	4 HP
Voltage Single Phase †	208v-230v
Time of Full Rise	105 seconds
Min. Bay Size	S 16' x 30' (4877 x 9144mm) L 16' x 33' (4877 x 10059mm) EL 16' x 36' (4577 x 10973mm)

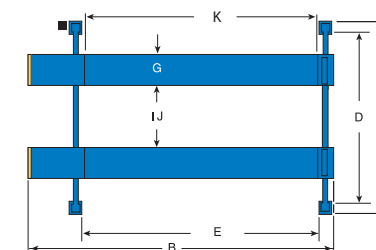
S = Shorter length **L** = Standard length **EL** = Extended length



† Optional 3-phase electrical available

Standard color of lifts are blue and red. Additional colors maybe available - consult your Rotary® representative for details and pricing.

RAL5005 RAL3002



40000HDL

40,000 LBS. CAPACITY RUNWAY LIFT

Heavy-Duty 40K Four Post Drive-On Lift

The 40000HDL runway lift is the powerful and reliable lifting system for even the largest vehicles from RVs to commercial trucks. The fully adjustable runways accommodate a variety of wheelbase widths and with a 65" rise height, even a lift with this capacity provides a generous amount of headroom for technicians. Increase service capacity with optional rolling jacks and internal air line. Add drive-thru ramps to provide a quick and easy on-off operation.

Whatever the job, this heavy duty four post was built to lift it!



Shown: 40000HDL
40,000 lbs. capacity

Service a wide range of vehicles with a heavy duty Rotary 40,000HDL four-post lift

Proven and durable, this lift is loaded with heavy duty features and options you only expect to see with a Rotary drive-on lift.

Single point control runs the front and rear power units together or independently.

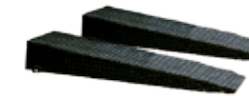
Two heavy-duty hydraulic cylinders and motors create the required power and stability to lift the largest vehicles.

Adjustable runway spacing from 40' to 82" accommodate a variety of wheelbases.

Add optional **rolling bridge jacks** and increase your service opportunities by lifting wheels off the runways for two-wheel alignment work.



Shown: RJ20000-1



Drive-thru ramps are available and provide a quick and easy on-off service operation.

Safety latches in each leg for maximum lifting security

Heavy-duty chains ensure runways are level throughout the lifting process

I-Beam construction in runways for maximum capacity

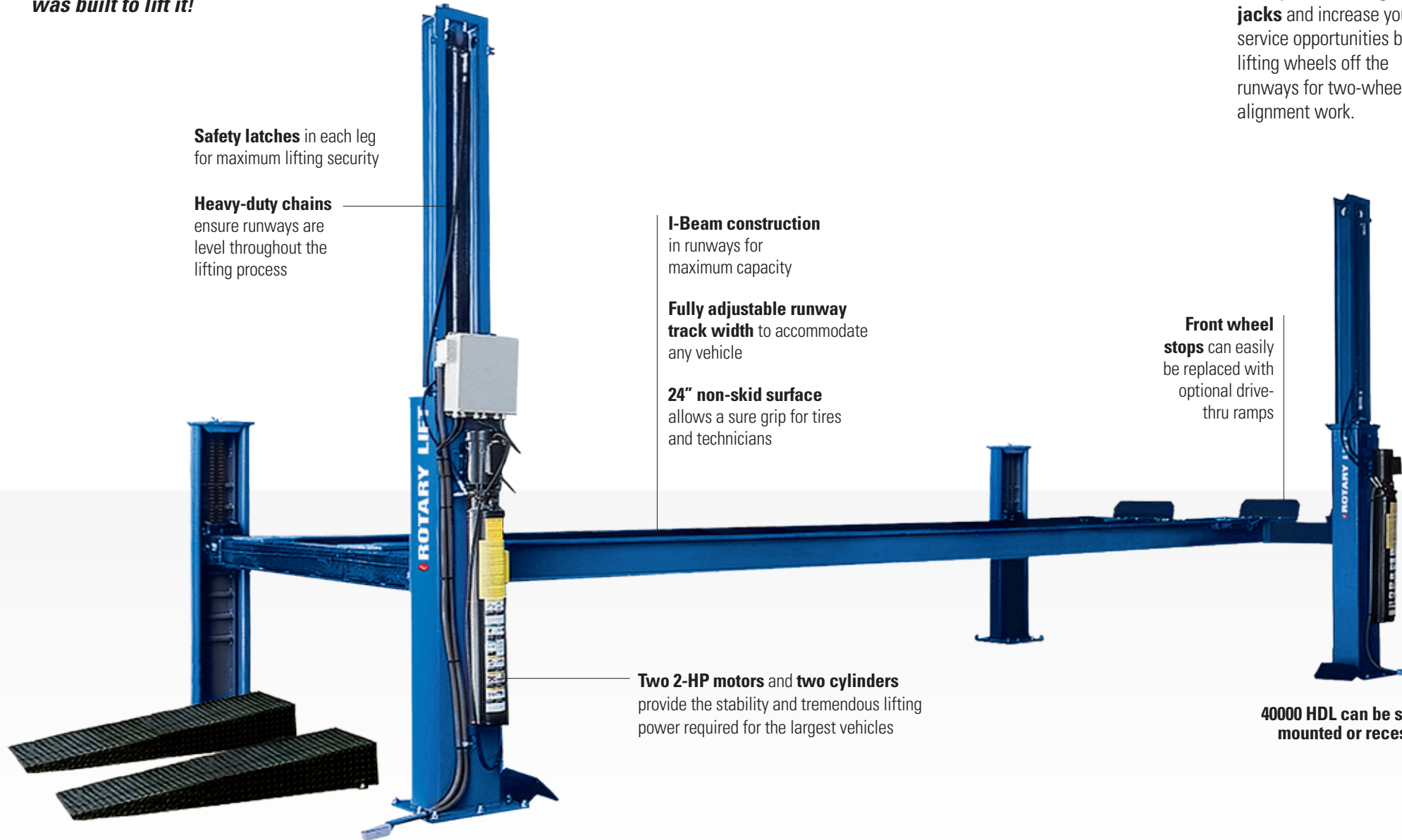
Fully adjustable runway track width to accommodate any vehicle

24" non-skid surface allows a sure grip for tires and technicians

Front wheel stops can easily be replaced with optional drive-thru ramps

Two 2-HP motors and two cylinders provide the stability and tremendous lifting power required for the largest vehicles

40000 HDL can be surface mounted or recessed



Shown: 40000HDL 40,000 lbs. capacity drive-on lift



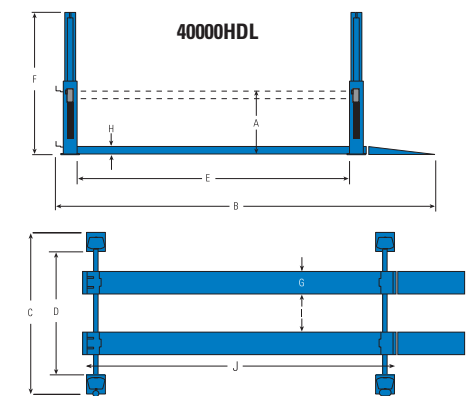
40000HDL Four-Post

PRODUCTIVITY & PERFORMANCE

1. CONTROL FRONT OR REAR POWER INDEPENDENTLY
2. ADJUSTABLE RUNWAY SPACING
3. SURFACE OR RECESSED INSTALLATION

40,000HDL LIFT SPECIFICATIONS

Model:	40000HDL	40000HDL-X
Maximum Wheelbase	25' (7620mm)	30' (9144mm)
A. Rise / Floor to top of runway	65" (1651mm)	65" (1651mm)
B. Length Overall	33' 10" (10312mm)	38' 10" (11836mm)
C. Width Overall	14' 3" (4343mm)	14' 3" (4343mm)
D. Inside of Columns	11' 10" (3607mm)	11' 10" (3607mm)
E. Between Columns	24' 3" (7391mm)	24' 3" (7391mm)
F. Height of Columns	12' 10" (3912mm)	12' 10" (3912mm)
G. Width of Runways	24" (610mm)	24" (610mm)
H. Height of Runways	9" (229mm)	9" (229mm)
I. Minimum Width Between Runways	40" (1016mm)	40" (1016mm)
I. Maximum Width Between Runways	82" (2083mm)	82" (2083mm)
J. Length of Runways	27' 6" (8382mm)	27' 6" (8382mm)
Lifting Capacity	40,000 lbs. (18140kg)	40,000 lbs. (18140kg)
Motor	4 HP x 2	4 HP x 2
Voltage Three Phase †	208v-230v / 460v	208v-230v / 460v
Time of Full Rise	100 seconds	100 seconds
Min. Bay Size	18' x 38' (5486mm x 11582mm)	18' x 43' (5486mm x 13106mm)



† Optional single phase electrical available.

Standard color of lifts are blue and red. Additional colors maybe available - consult your Rotary® representative for details and pricing.



HDC50/60 HEAVY-DUTY RUNWAY LIFT

THE MOST VERSATILE AND FASTEST FOUR-POST LIFT IN THE INDUSTRY

Operator friendly designs and industry exclusive features offer you a drive-on four post lift that's easier to use and faster than similar competitive lifts.

LOWER YOUR COST OF OWNERSHIP

With no complicated or expensive electrical installation, no cables, chains or sheaves to maintain and fewer moving parts, the fully hydraulic HDC50/60 is one of the most dynamic four-post lifts in the industry! DC battery operated with an onboard charger that needs only 110v electricity to charge, this affordable four post lift is easy to operate and inexpensive to own. Choose the lift model that fits your needs best - both runway lengths are available in both lifting capacities!

ENVIRONMENTALLY FRIENDLY FEATURES

Surface mounted and anchored, it requires no excavation

Optional high efficiency LED lighting saves electricity and money over comparable incandescent and fluorescent lighting

Bio fluid ready



DESIGN FEATURES

28" wide runways with two available lengths and capacities handle any number of vehicles

Clear floor four-post design creates an open work area free of interference

Industry best rise time of 65 seconds

78" lifting height benefits the tallest techs

Standard internal airline connections let two rolling jacks operate simultaneously and provides outlets for air tools



PATENTED CONTROL SYSTEM

Operate lift from ANY post with this user-friendly, exclusive control system

Position memory - lifting cycles are configured and set creating a two step process: turn each column on, lock the columns and go!

- Programmable controls show operational status for each column plus, program a height limiter - maintains level within 3"
- Real time height reading
- Battery Indicator
- E-Stop button located at each panel
- Audible descent alarm

BATTERY OPERATED LIFT WITH ON-BOARD CHARGERS

- Generates faster lift cycle times - *at least 1.5 X faster than comparable lifts*
- No special AC wiring costs or requirements
- Low electrical usage - *DC battery power* and 110V charging*
- Fully functional when the power goes out

* Battery purchased separately for international use

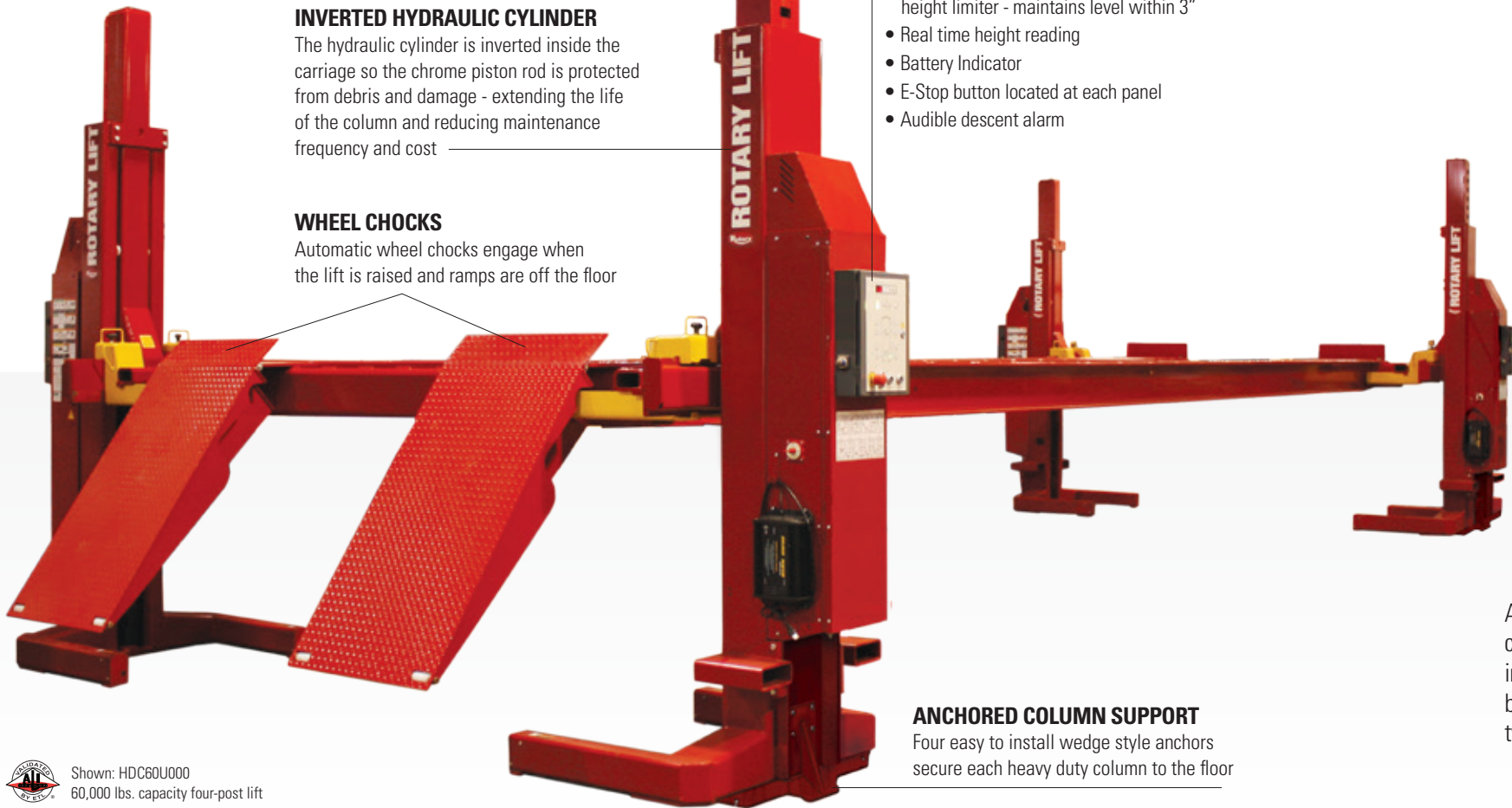
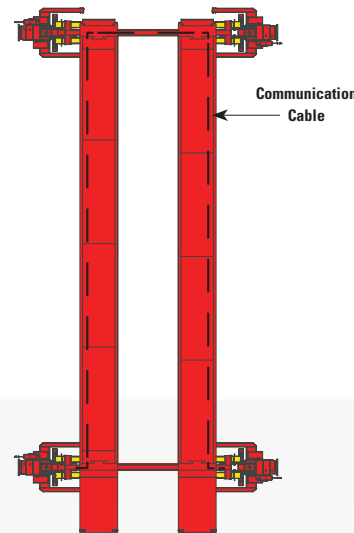
THIRD PARTY CERTIFIED

The HDC Series lift meets the ANSI/ALI ALCTV 2011 standard, including the required third-party validation. Your assurance of certification is the gold ALI/ETL certified label.



HORSESHOE WIRING

The HDC is connected by three communication cables, (forming a horseshoe) protected within the lift runways.



INVERTED HYDRAULIC CYLINDER

The hydraulic cylinder is inverted inside the carriage so the chrome piston rod is protected from debris and damage - extending the life of the column and reducing maintenance frequency and cost

WHEEL CHOCKS

Automatic wheel chocks engage when the lift is raised and ramps are off the floor

ANCHORED COLUMN SUPPORT

Four easy to install wedge style anchors secure each heavy duty column to the floor

Add optional 25,000 or 30,000 lbs. capacity **rolling bridge jacks** and increase your service opportunities by lifting wheels off the runways for two-wheel alignment work.

Rotary DESIGN ADVANTAGE HDC Four-Post PRODUCTIVITY & PERFORMANCE

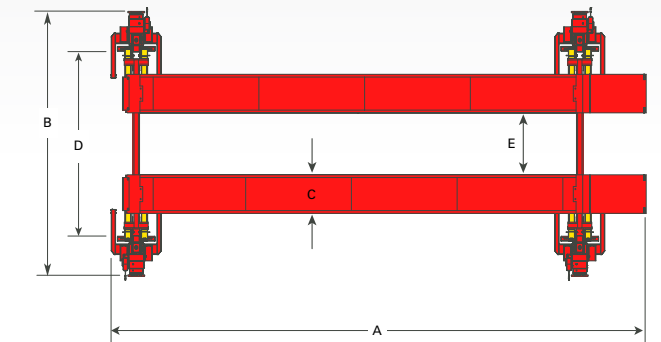
1. PATENTED CONTROL PANEL
2. DC POWER - PROVIDES SPEED
3. INVERTED HYDRAULIC CYLINDER
4. THIRD-PARTY ETL GOLD CERTIFIED

HDC 50 / 60 LIFT SPECIFICATIONS*

Model:	HDC50	HDC60
Lifting Capacity	50,000 lbs. (22679kg)	60,000 lbs. (27215kg)
Maximum Wheelbase	28' (336" / 8534mm)	33' (396" / 10058mm)
Max. Rise / Floor to top of runway	78" (1981mm)	78" (1981mm)
A. Length Overall	35' 7-1/2" (10858mm)	40' 7-1/2" (12382mm)
B. Width Overall - outside controls	15' 11" (4851mm)	15' 11" (4851mm)
Height of Columns when raised	144 - 3/4" (3677mm)	144 - 3/4" (3677mm)
C. Width of Runways	28" (711mm)	28" (711mm)
D. Drive Thru Between Columns	11'-10" (3607mm)	11'-10" (3607mm)
E. Runway Spacing	45" (1143mm)	45" (1143mm)
Rise Time	65 seconds	65 seconds
Ramp Angle	10 degrees	10 degrees
Power Usage	Battery powered Charges on 110V	Battery powered Charges on 110V

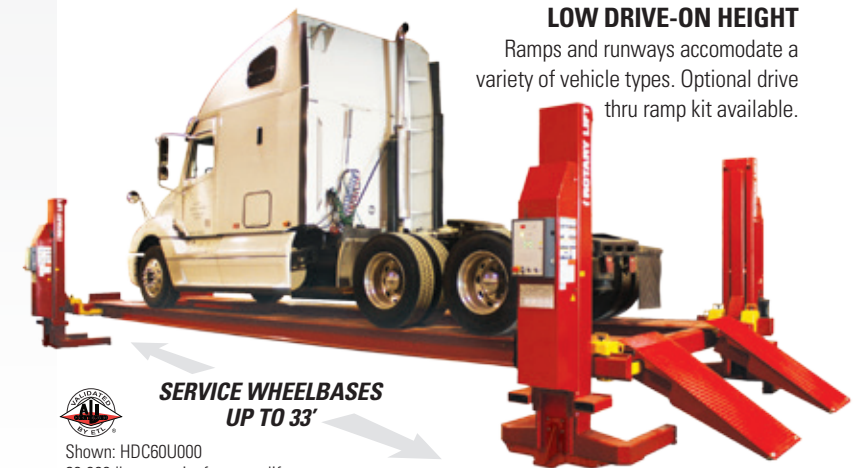
*BOTH 28' AND 33' RUNWAY LENGTH MODELS ARE AVAILABLE AS 50,000 AND 60,000 LBS. CAPACITY LIFTS

Standard color of HDC50 / 60 lifts are red. Additional colors may be available - consult your Rotary representative for details and pricing.



LOW DRIVE-ON HEIGHT

Ramps and runways accommodate a variety of vehicle types. Optional drive thru ramp kit available.



SERVICE WHEELBASES UP TO 33'



Shown: HDC60U000
60,000 lbs. capacity four-post lift



Shown: HDC60U000
60,000 lbs. capacity four-post lift



OPTIONAL LIFT ACCESSORIES

Increase bay productivity with these drive-on lift accessories

TECH LIGHT™ LED Lighting Kit

Attach the four light wands to runways for effective, efficient lighting where you need it.

- 120V AC input voltage
- 60hz



#FA5700 Lighting unit includes 60W power supply unit, 8mm cable and suspensions

Air / Utility Box

Mounts easily on any column and provides quick access to utilities

- Two 110v electric outlets and air connection
- The filter/regulator/lubricator helps extend the life of your air tools

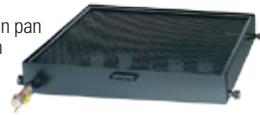


#FA915 KIT

Oil Drain Pan

Available for most lifts, drain pan includes splash guard, drain valve and dust cap.

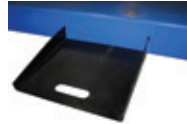
CONSULT FACTORY FOR OPTIONS



#FC5663YL

Removable Work Steps

Fits 14K and 18K four-post lifts with slots on sides of runways as shown.



#FC5663YL

Internal Airline Kit

Standard Internal airline connections let two rolling jacks operate simultaneously, and provides air outlet on the runway.



#FC5760-14

Swing Air Jacks

6,000 lbs. and 8,000 lbs. capacity swing air jacks pivot and lay flat between the runways when not in use.



#SJ6000 and #SJ8000 Y12 / SM14 / SMO14 accessory

Rolling Jacks

Increase your service opportunities by lifting front, rear or all wheels off the runways for brake, tire, suspension and two or four-wheel alignment work. Available in 6,000 lbs. to 25,000 lbs. capacities.

- Hydraulic operation with 2 locking positions
- Drop in rubber adapters made with high durometer rubber.
- Easy glide wheels roll smoothly in the track. A sweeper pushes debris away from the wheel.



#RJ6000Y
Y12 accessory

#RJ7000Y
SM14 / SMO14 accessory

#RJ9000YBK / #RJ9000Y-2BK
SM18 / SM30 accessory

#RJ150BK
SM30 accessory

#RJ20000-1
#RJ25000-1
40000HDL accessory

HDC50/60 HEAVY DUTY LIFT ACCESSORIES

Optional Rolling Bridge Jacks

Air operated rolling bridge jacks can be attached to the runways creating various lifting options to make these lifts even more versatile.



#RJ25001L - 25,000 lbs. capacity
#RJ30001L - 30,000 lbs. capacity



Optional LED Lighting

High-efficiency LED runway and column-mounted lighting systems. These easy-to-use lighting systems provide hands-free, effective lighting under the vehicle.

CONSULT FACTORY FOR OPTIONS

Bolt-On Alignment Kits

Convert your general service four-post lift into an alignment lift that is compatible with the new technology 3-D alignment equipment on the market today. Comes with stainless steel turning radius gauges.

CONSULT FACTORY FOR OPTIONS



Ramp Kits

Allows for drive-thru capability

- Oil resistant, non-skid coating
- Includes two ramps and hardware
- Extended length ramps for low clearance vehicles available

CONSULT FACTORY FOR OPTIONS

Mobility Kit

Optional wheel kit is available to provide portability for each column adding movement within your shop.



#M140111RD

Drive-Thru Ramp Kit

Adding a drive-thru ramp kit creates a quick and easy on-off service operation for service bays.



#M140099RD
10' (3048mm) drive-thru ramp kit

Drive-On Standard/Optional Lift Features

FEATURE	Standard Feature ● Optional Feature ○	Y12 12,000 lbs.	SM14 14,000 lbs.	SMO14 14,000 lbs.	SM18 18,000 lbs.
ALI Certified		●	●	●	●
Open front or open rear design		Open front and rear	Closed front	Open front	Closed front
Recessed installation		○	N/A	N/A	N/A
SHOCKWAVE™ Equipped models		N/A	○	○	N/A
Power unit on front column		N/A	●	●	●
Single point lock release		●	●	●	●
Cylinder located under the runway		●	●	●	●
Dual function Sentinel Lock™ System		N/A	●	●	●
Air filter / regulator / lubricator		●	●	●	●
Air / Electric utility box		○	○	○	○
Multiple runway lengths available		○	○	○	○
Adjustable runway spacing		N/A	○	N/A	○
Adjustable locking latch bars		N/A	●	●	●
One piece runway		●	●	●	●
Internal airline kit		○	○	○	○
Rolling jacks available		○	○	○	○
Converts to alignment lift		N/A	○	○	○
Drive-thru conversion		○	○	○	○
Lower profile extended ramps		○	○	○	○

Drive-On Standard/Optional Lift Features

FEATURE	Standard Feature ● Optional Feature ○	SM30 30,000 lbs.	40000HDL 40,000 lbs.	HDC50/60 50,000 lbs. / 60,000 lbs.
ALI Certified		●	N/A	●
Open front or open rear design		Closed front	Closed front	Closed front
Recessed installation		N/A	N/A	N/A
SHOCKWAVE™ Equipped models		N/A	N/A	N/A
Power unit on front column		N/A	N/A	All four posts
Single point lock release		●	N/A	●
Cylinder located under the runway		●	Located in columns	Located in columns
Dual function Sentinel Lock™ System		●	N/A	N/A
Air filter / regulator / lubricator		○	○	N/A
Air / Electric utility box		○	○	N/A
Multiple runway lengths available		○	○	○
Adjustable runway spacing		●	●	N/A
Internal airline kit		●	N/A	○
Rolling jacks available		○	○	○
Converts to alignment lift *Can be used with heavy duty turnplates. Consult factory for more information.		○	*	*
Drive-thru conversion		○	○	○
Extended ramps		○	○	○