

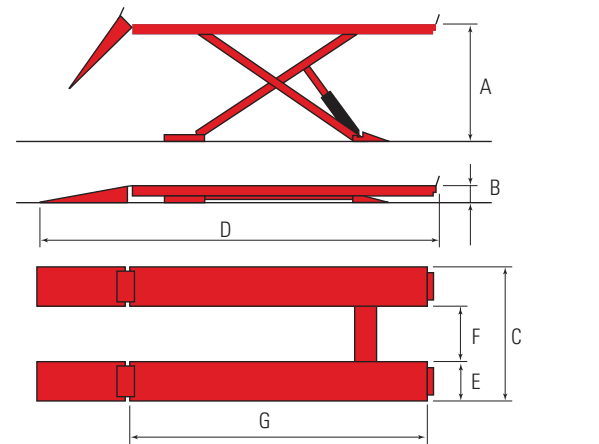
XA14 SPECIFICATIONS

Lifting Capacity	14,00lbs. (6350kg)
A. Maximum Rise*	72 - 3/4" (1848mm) surface mounted
B. Lowered Height	10 - 3/4" (275mm)
C. Width Overall	91" (2310mm)
D. Overall Length	277" (7035mm)
E. Runway Width	25 - 1/2" (648mm)
F. Width Between Platforms	40" (1015mm)
G. Runway Length	216" (5486mm)
Max. Wheelbase	198" (5038mm)
Max. Two Wheel Alignment	195" (4953mm)
Max. Four Wheel Alignment	193" (4902mm)
Min. Four Wheel Alignment	85 - 1/2" (2172mm)
Motor / Voltage	5 hp / 230 volt / Single Phase
Time of Full Rise	77 seconds
Lowering Time	47 seconds
Compressed Air Connection	85 - 110psi
Recommended Bay Size	14' x 27' (4.26m x 8.22m)

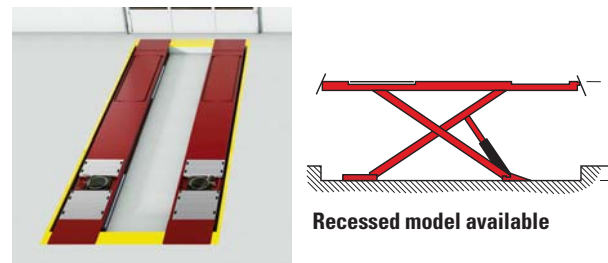
* Rise measures floor to top of runway at full stroke.

XA14 lifts are available in standard colors of blue and red. Power unit consoles are gray.

RAL5005 RAL3002



Surface model specifications



Recessed model available

ROTARY WHEEL ALIGNMENT SYSTEMS

Rotary wheel alignment systems offer cutting-edge technology, productivity and safety features that every shop is looking for. Alignments should be simple and that's what Rotary has done with our line of state of the art wheel alignment systems. You need equipment you can count on job after job and appreciate the revenue generating power of Rotary equipment.

Any alignment system should provide feedback of the vehicle's tire position relative to the center line of the car. Rotary's wheel alignment equipment provides this analysis faster and easier than other comparable equipment thanks to our patented clamping systems, measuring heads and cameras. Take the mystery out of alignment and take back the profits that have been falling through the cracks.



Rotary's aligner consoles are portable and can be positioned anywhere for the ultimate convenience. Maximize available workspace without OBSTACLES or OBSTRUCTIONS! NO MINIMUM BAY SIZE REQUIRED!



XA14 DRIVE-ON Alignment Lift

SURFACE AND RECESSED MOUNT SCISSOR LIFT
14,000 lbs. CAPACITY (6350kg)

NEW XA14 scissor lift is designed with longer runways to service a variety of vehicles.

Versatile, alignment-ready lift services cars to light commercial trucks - up to a 198" wheelbase!



Model Shown:
XA14N0110
14,000 lbs. capacity
drive-on surface
mounted scissor lift

Open scissor design saves space and provides greater technician access with true vertical lifting.



Rotary Lift
2700 Lanier Drive
Madison, IN 47250, USA



North / South America Contact Information

Sales: p 800.640.5438
e userlink@rotarylift.com
Tech. Support: p 800.445.5438
e techlink@rotarylift.com

Global Contact Information

USA: 1.812.273.1622
Canada: 1.905.812.9920
Latin America / Caribbean: 1.812.273.1622
Brazil: +55.11.4534.1995

Assistance for Government Purchasing

Government Sales: 800.445.5438 X5655



Lit# Rotary XA14 SCISSOR Brochure.2018.06 (SUPERCEDES Lit# Rotary XA14 SCISSOR Brochure.2018.02)
©2018 VEHICLE SERVICE GROUP™, Printed in U.S.A., All Rights Reserved. Unless otherwise indicated, ROTARY LIFT, VEHICLE SERVICE GROUP™, DOVER and all other trademarks are property of Dover Corporation and its affiliates.

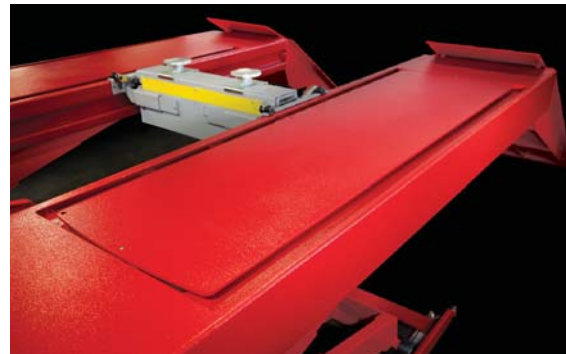
PRODUCTIVITY and PERFORMANCE FEATURES

With 23' long runways, oversized slip plates and easily adjusted radius gauge pockets, the XA14 accommodates a large range of wheelbases.

Automatic Rear Wheel Chocks
engage when the lift is raised and release when lowered.

25 - 1/2" wide runways
create a greater drive on area.

All pivot points are made with self lubricating bushings for long life.



Longer rear slip plate with auto locking steer designed to accommodate a greater wheelbase range for two and four wheel alignments.



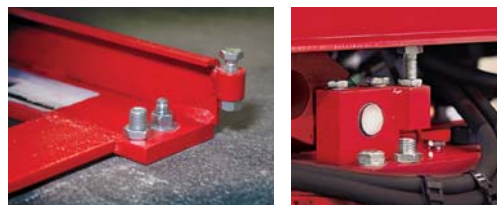
Auto Locking Rear Steer

Slip plates with convenient pneumatic locking at the controls. No need to manually lock / unlock plates increasing technician productivity.



Alignment lifts come standard with **two 7,000 lbs. capacity rolling jacks.**

Mechanical locks with 14 locking positions, automatically engage and pneumatically release, ensuring maximum security when lift is in raised positions.



Base plate leveling system for easy installation.

Model Shown: XA14N0110
14,000 lbs. capacity drive-on surface mounted scissor lift



XA14 lifts come standard with **two (2) turning radius gauges**

Easy to use adjustable spacers for radius gauges - the ultimate in wheelbase flexibility.



Control Unit

Built with robust, simple buttons and switches for long life. Includes single point rear slip lock switch.

Robust Hydraulic System

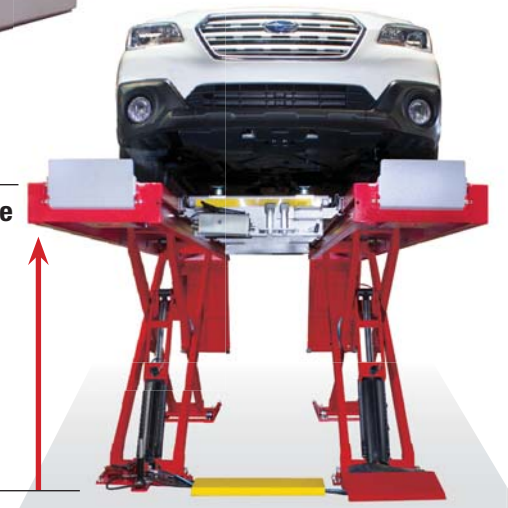
Simple, reliable master / slave hydraulic system maintains level platforms during entire lifting cycle.

Platform Front Wheel Stops

Surface model shown. Recessed models available.

72-3/4" Vertical Rise

Technicians have the height to get repair work done. True up / down lift movement minimizes bay space.



Open Front and Rear Design

creates space-saving working clearance through the entire middle of lift with open access points for easy movement - front, rear and side to side walk through - for accessing multi-bay projects and tool boxes and when making wheel alignment adjustments.



VERSATILE WHEELBASE RANGE

198" for GENERAL SERVICE

85-1/2' to 193" for FOUR WHEEL ALIGNMENT